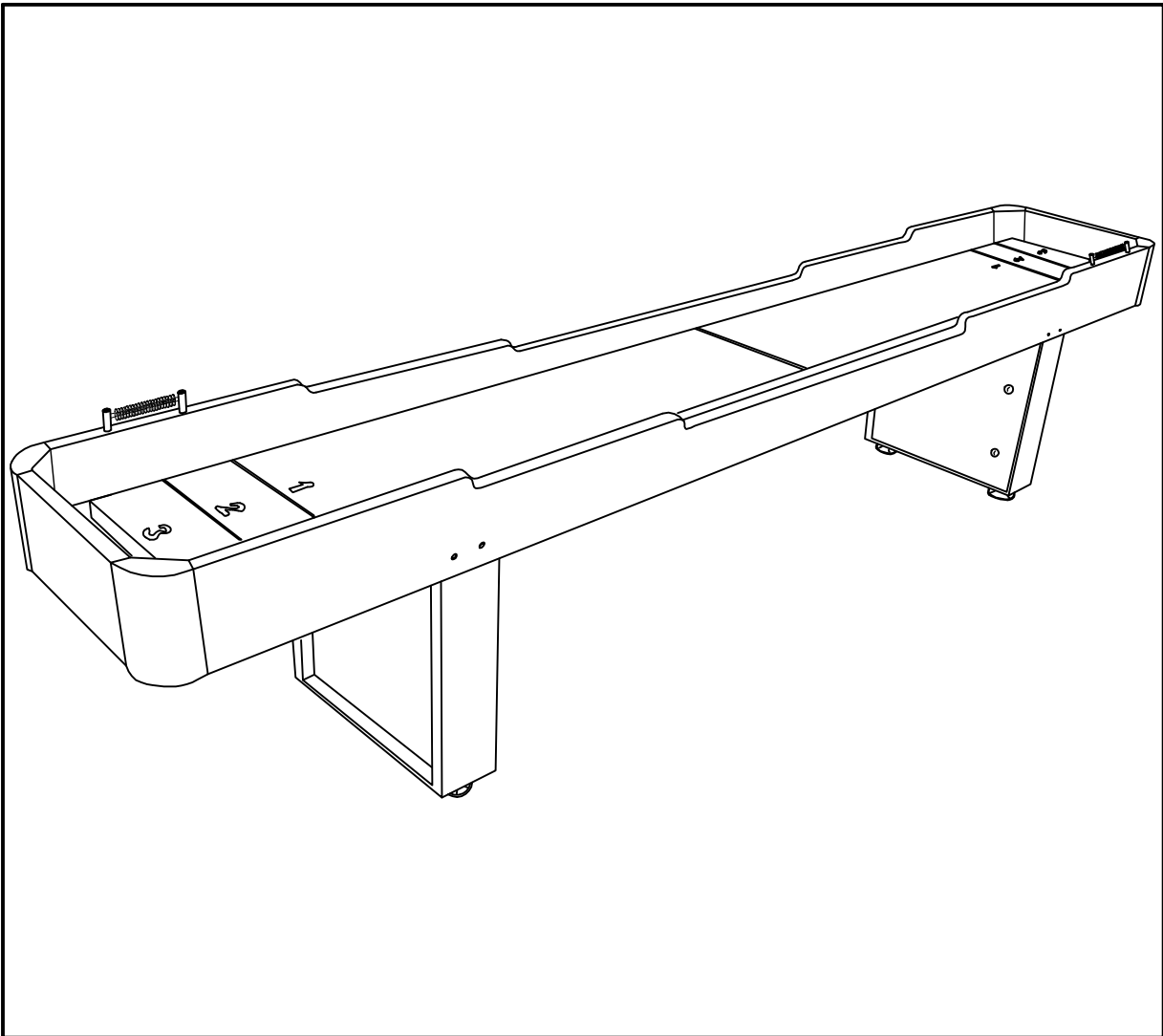
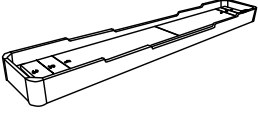
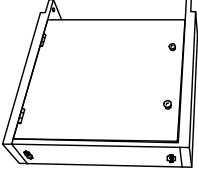
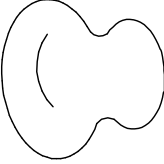

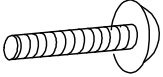
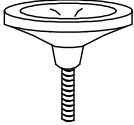

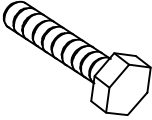
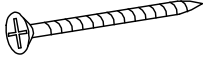
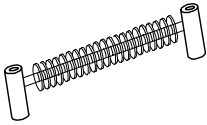
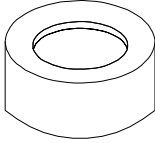
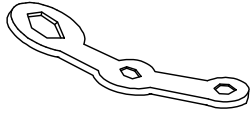


# SHUFFLE BOARD

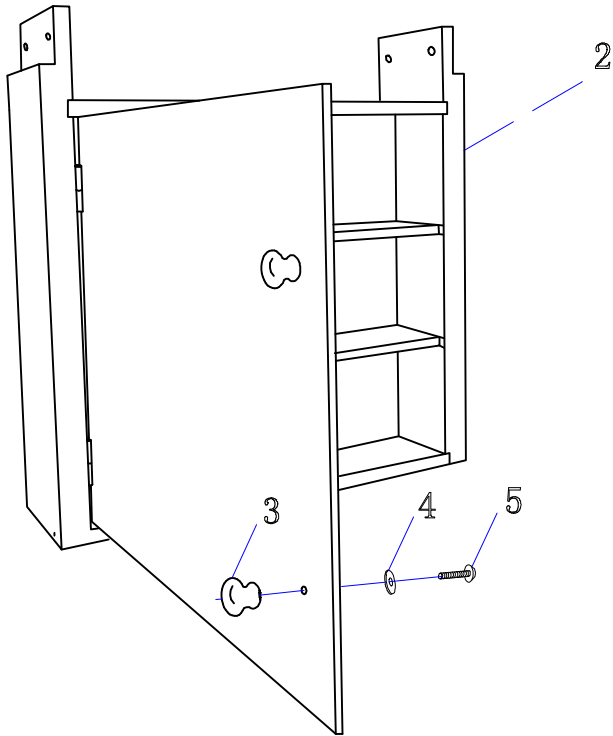


**ITEM NO. : 26-126**

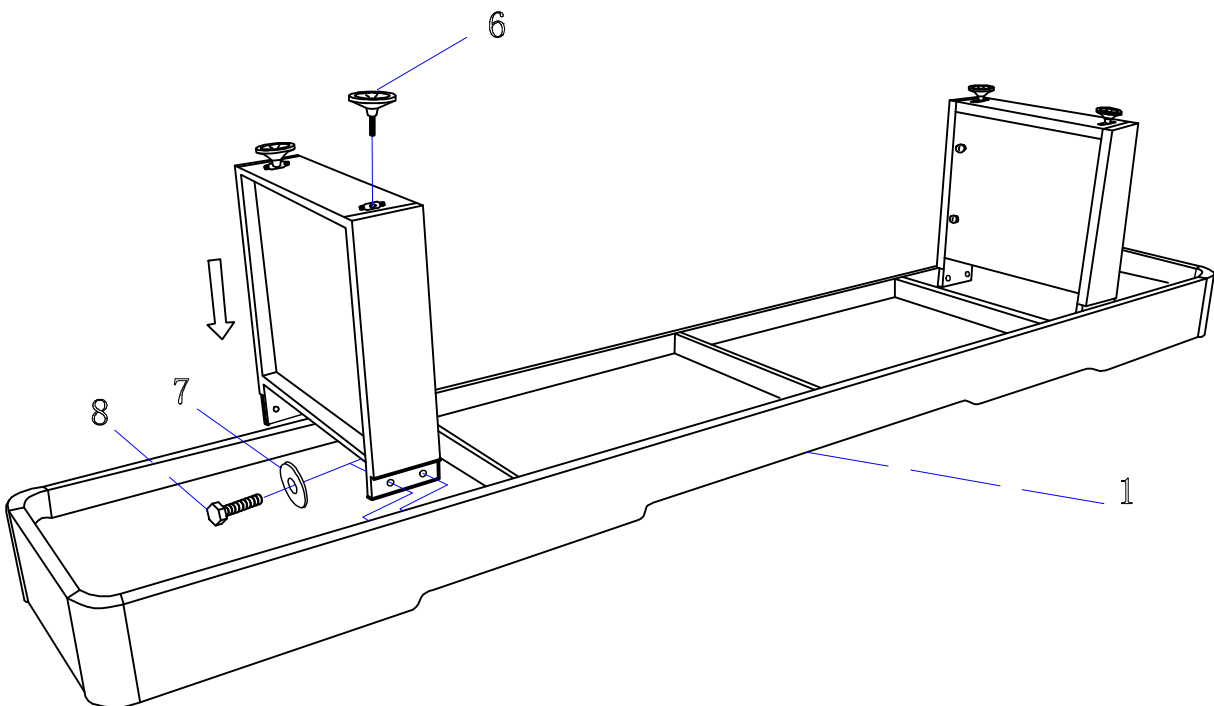
# PARTS LIST

<p>#1</p>  <p>main frame 1 pieces</p>	<p>#2</p>  <p>Table leg 2 pieces</p>	<p>#3</p>  <p>4 pieces</p>	<p>#4</p>  <p>1/4"×32mm wassher 4 pieces</p>
<p>#5</p>  <p>T4*3/4" Bolt 4 pieces</p>	<p>#6</p>  <p>leg Leveler 4 pieces</p>	<p>#7</p>  <p>5/16"×23mm wassher 8 pieces</p>	<p>#8</p>  <p>5/16"*1-1/4" Bolt 8 pieces</p>
<p>#9</p>  <p>F4#*2" screw 4 pieces</p>	<p>#10</p>  <p>Scoreboard 2 pieces</p>	<p>#11</p>  <p>Shuffleboard Puck 4 pieces (Blue) 4 pieces (red)</p>	<p>#12</p>  <p>Wrench 1 pieces</p>

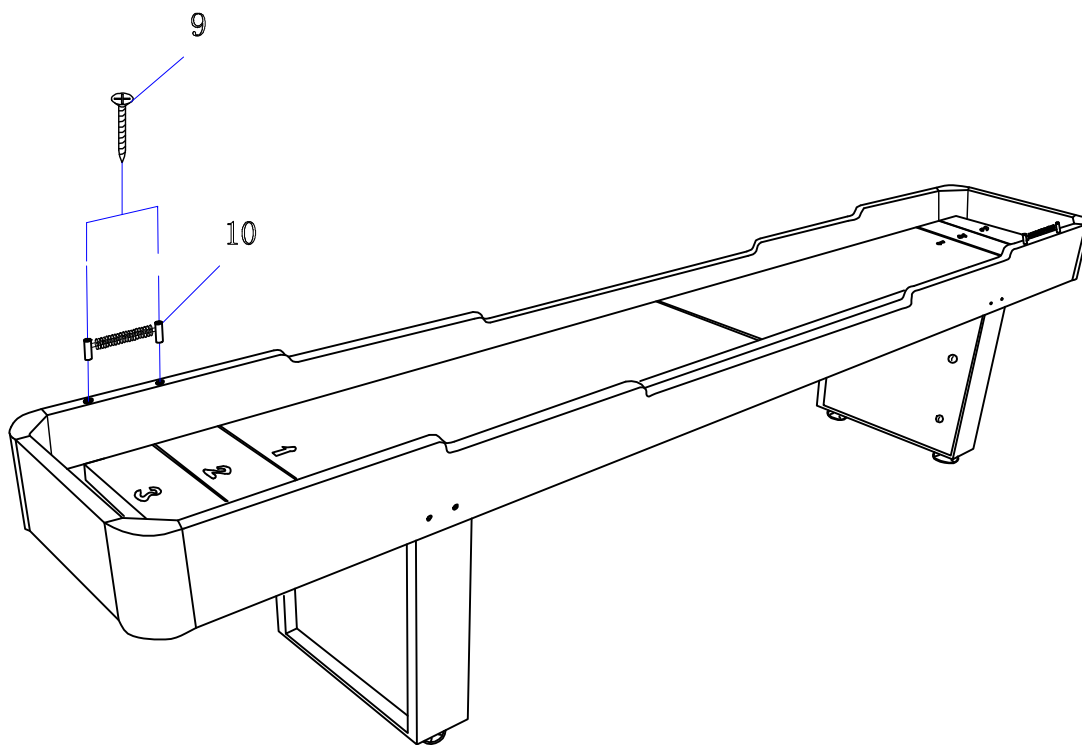
# STEP 1



# STEP 2



# STEP 3



# STEP 4

