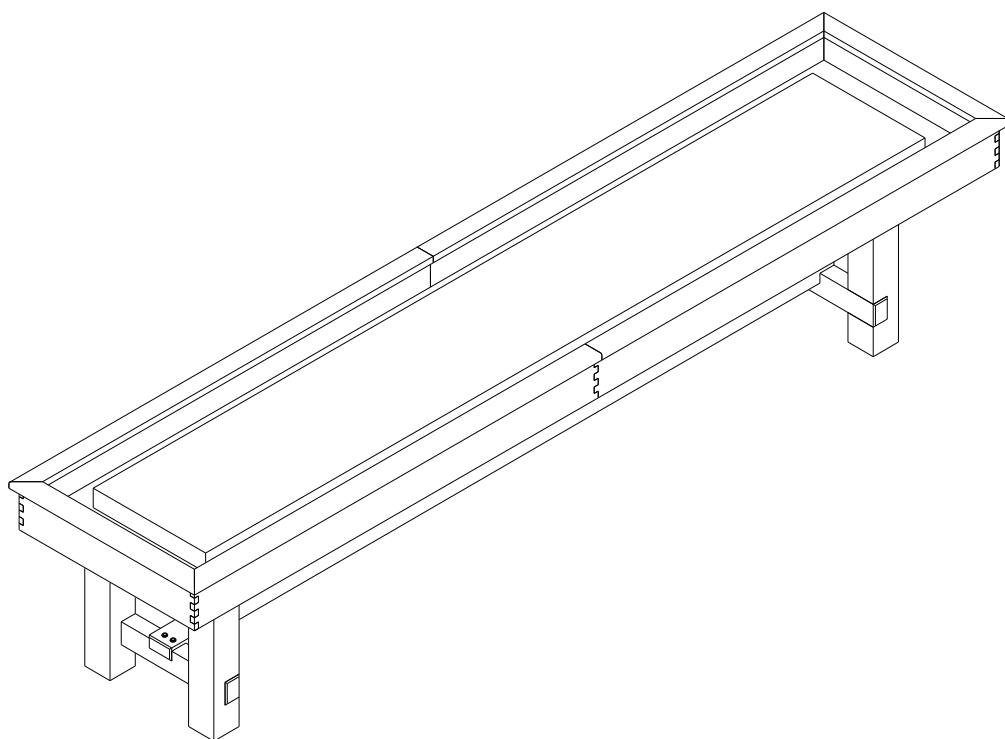

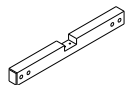
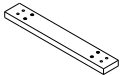

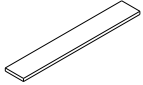
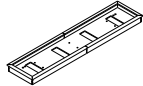


12' RENO/TAHOE



SHUFFLEBOARD TABLE ASSEMBLY INSTRUCTIONS

REPLACEMENT PARTS LIST

PACKAGE	ITEM#	SAMPLE	DESCRIPTION	QTY.
LEG	1		LEG	4
	2		BOTTOM LEG BEAM	2
	3		TOP LEG BEAM	2
	4		LONG LEG BEAM	1
CABINET	5		PLAYBOARD	1
	6		CABINET	1

REPLACEMENT PARTS LIST(HARDWARE)









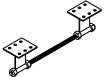
PACKAGE	ITEM#	SAMPLE	DESCRIPTION	QTY.
LEG	H1		HEX BOLT 3/8" X 3-1/8"	8
	H2		FLAT WASHER 3/8" I.D.	8
	H3		HEX BOLT 3/8" X 3-1/8"	12
	H4		FLAT WASHER 3/8" I.D.	12
	H5		HEX HEAD CROSS BOLT 5/16" x 2"	6
CABINET	H6		FLAT WASHER 5/16" I.D.	6
	H7		FLAT HEAD SCREW 5/16 " X 3/4 "	48
	H8		FLAT WASHER 5/16" I.D.	48
	H9		CLIMATIC ADJUSTERS	4

FIG.1

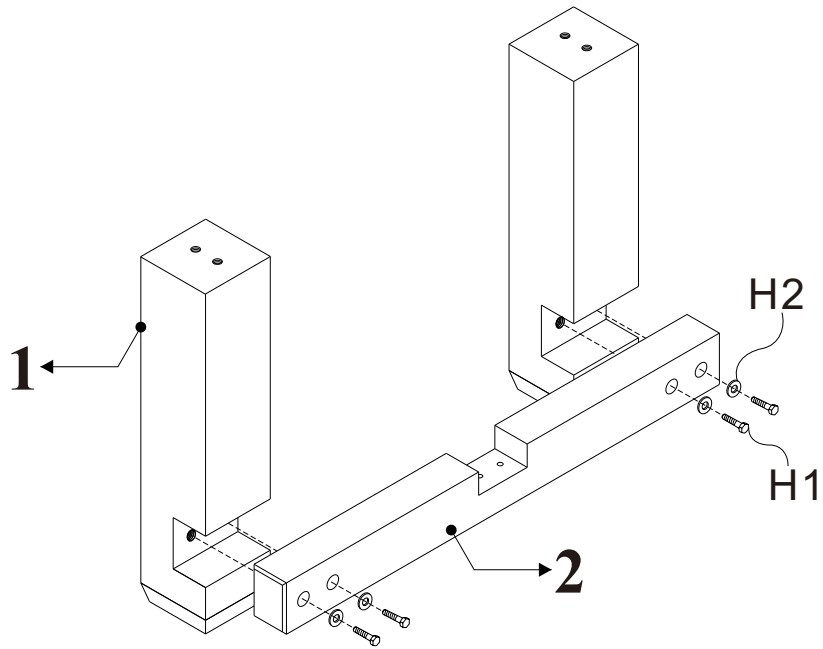


FIG.2

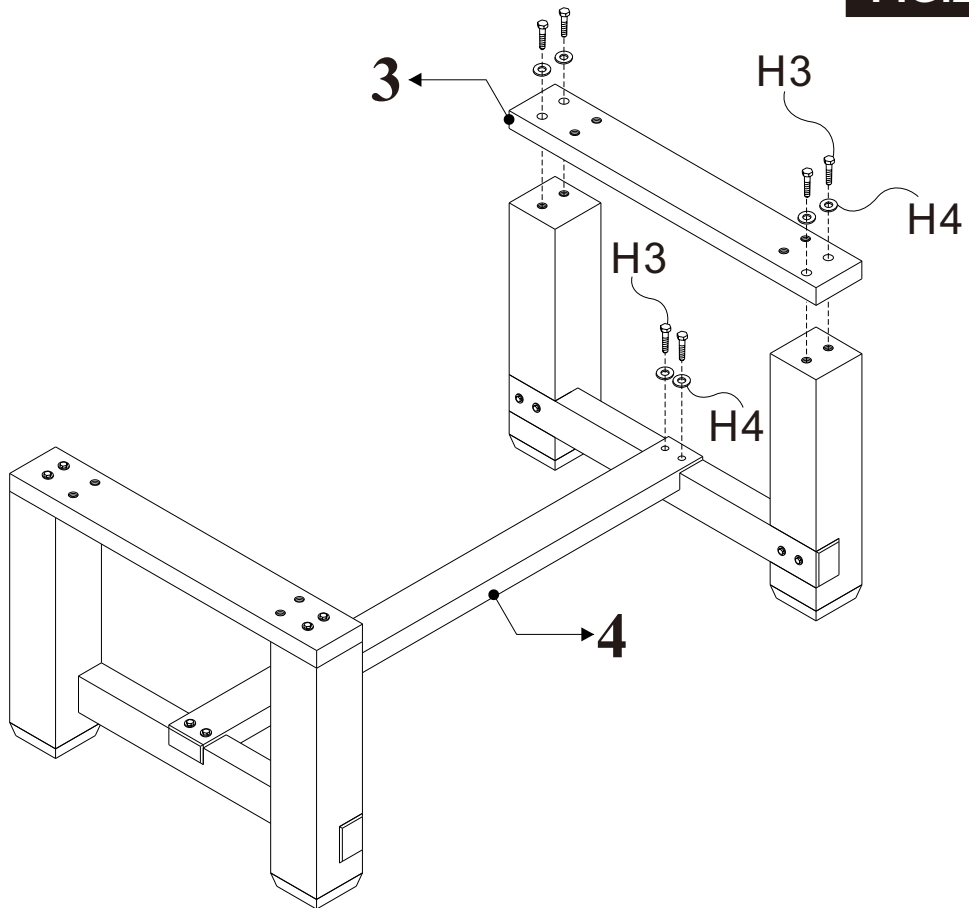


FIG.3

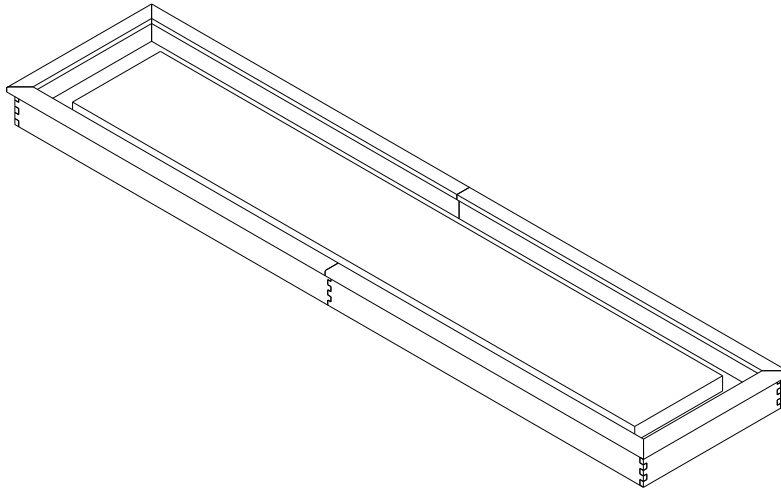
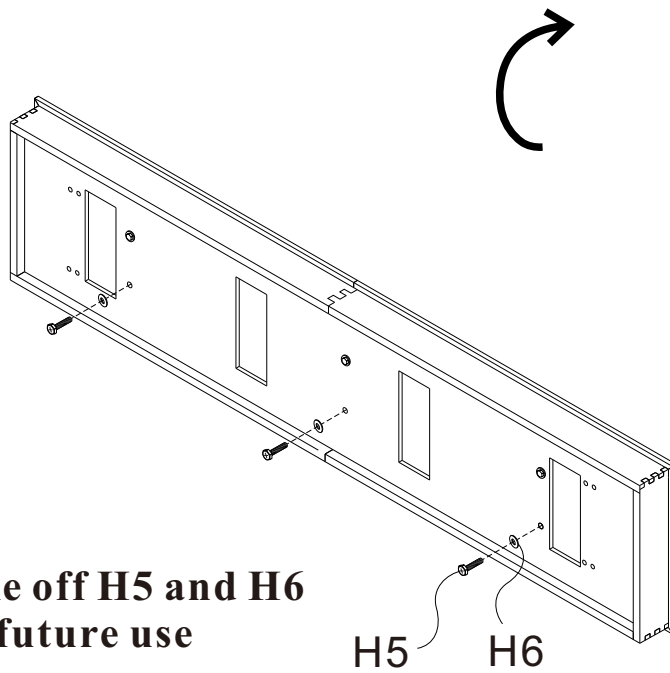


FIG.4



*** Take off H5 and H6
for future use**

FIG.5

*** Remove playboard**

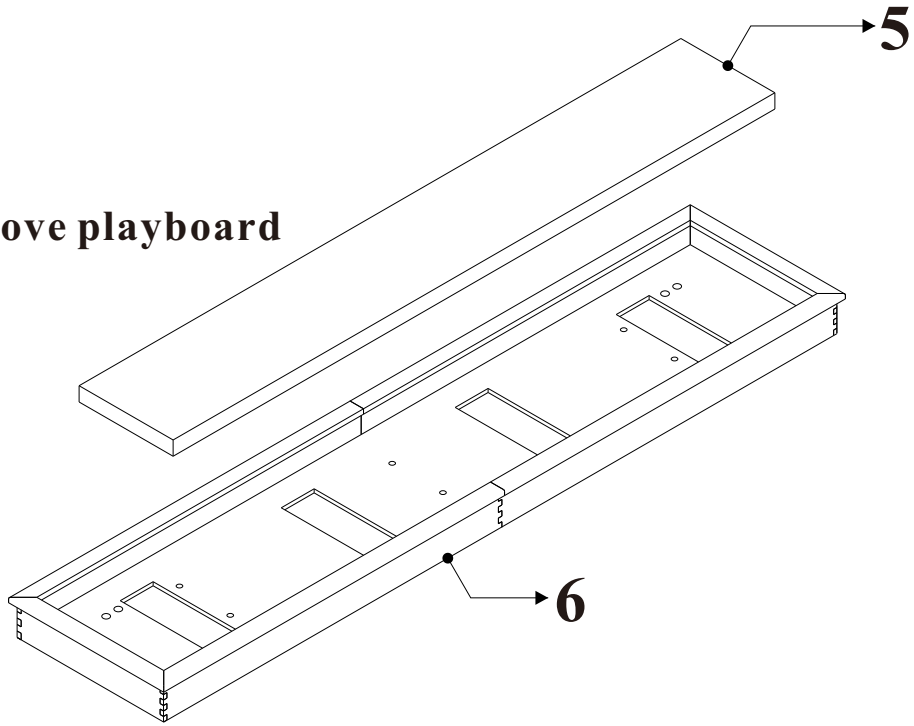


FIG.6

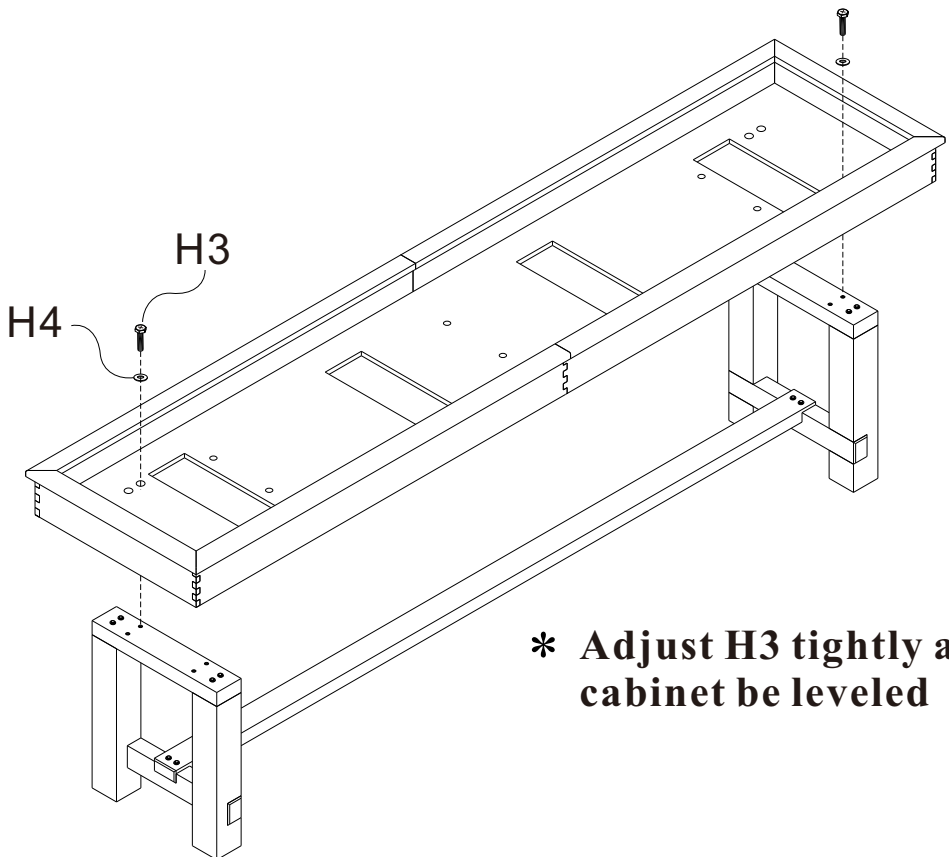


FIG.7

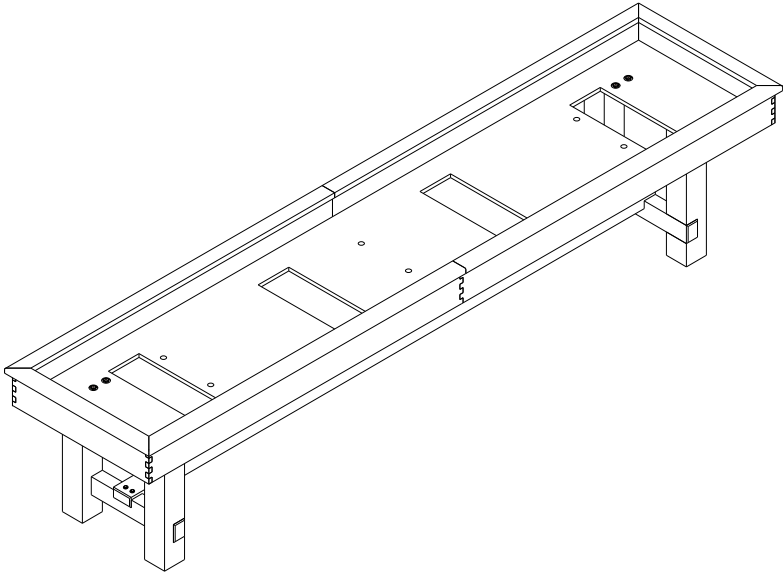


FIG.8

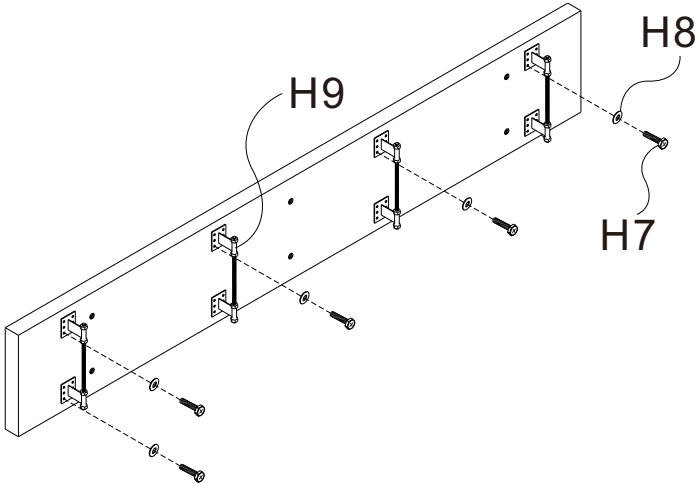
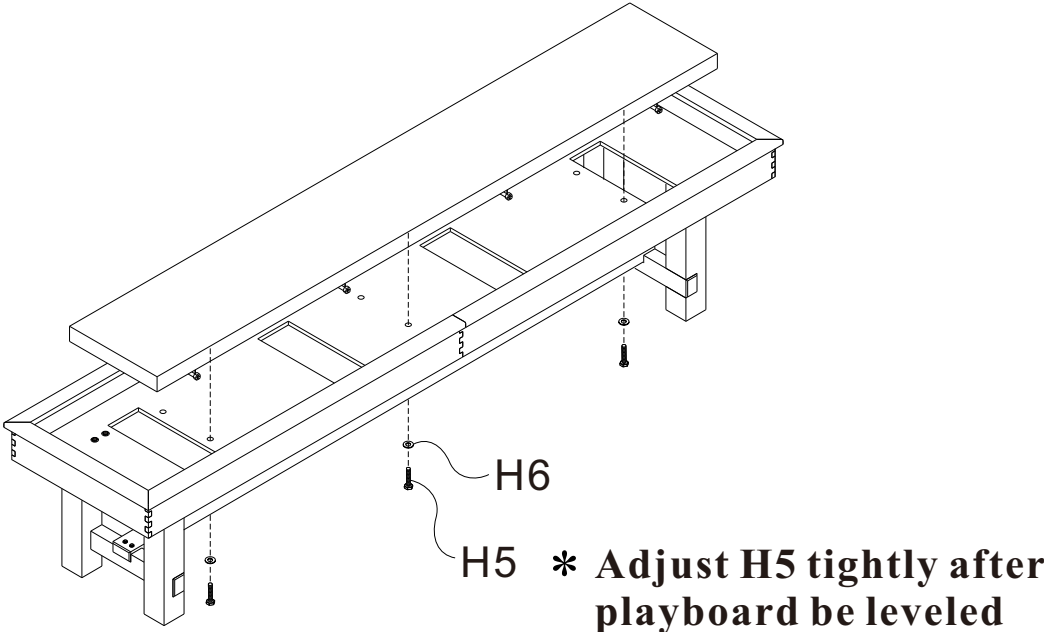


FIG.9



Finish

